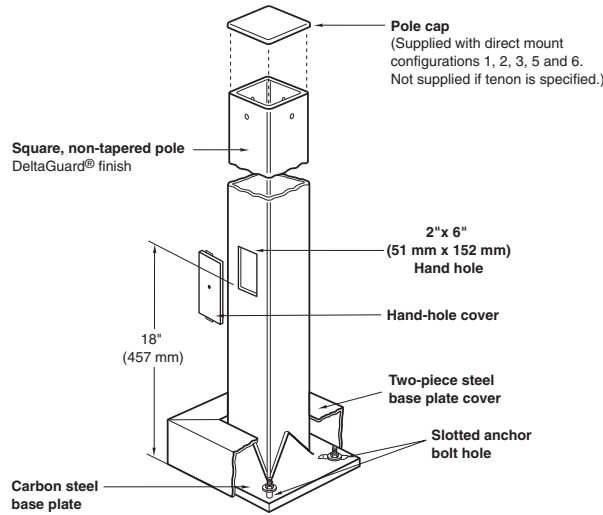


# PS Crown-Weld® Square Straight Steel Poles

Beta Catalog Number:



Notes:

Catalog Number	Height (feet) x Width (inches) x Wall (inches)	Bolt Circle/Range (inches)	Bolt Size (inches)	Pole "EPA" Ratings Pole Base Wind Velocity								Mount Configuration*	Color Options†	
				70	80	90	100	110	120	130	140			
PS3S10C*†	10 x 3 x 0.125	10/9.3-11	3/4	31.4	23.6	18.2	14.3	11.5	9.3	7.0	6.3	1	Single <sup>1</sup>	BZ
PS3S15C*†	15 x 3 x 0.125	10/9.3-11	3/4	18.5	13.4	9.9	7.4	5.5	4.1	3.0	2.2	2	Twin @ 180° <sup>1</sup>	BK
PS3S20C*†	20 x 3 x 0.125	10/9.3-11	3/4	11.5	7.8	5.2	3.3	2.0	0.9	0.1	0.0	2	Twin @ 180° <sup>1</sup>	WH
PS4S10C*†	10 x 4 x 0.125	10/9.3-11	3/4	59.9	45.2	35.1	27.9	22.6	18.5	15.4	12.9	3	Twin @ 90° <sup>1</sup>	PB
PS4S12C*†	12 x 4 x 0.125	10/9.3-11	3/4	48.4	36.2	27.9	21.9	17.5	14.2	11.6	9.5	3	Twin @ 90° <sup>1</sup>	SV
PS4S15C*†	15 x 4 x 0.125	10/9.3-11	3/4	36.5	26.9	20.3	15.6	12.1	9.5	7.4	5.8	3	Twin @ 90° <sup>1</sup>	
PS4S17C*†	17 x 4 x 0.125	10/9.3-11	3/4	30.7	22.3	16.6	12.5	9.4	7.1	5.3	3.9	3	Twin @ 90° <sup>1</sup>	
PS4S20C*†	20 x 4 x 0.125	10/9.3-11	3/4	24.0	16.9	12.1	8.7	6.1	4.2	2.7	1.5	5	Triple <sup>1</sup>	
PS4S22C*†	22 x 4 x 0.125	10/9.3-11	3/4	20.4	14.0	9.7	6.6	4.3	2.5	1.2	0.1	5	Triple <sup>1</sup>	
PS4S25C*†	25 x 4 x 0.125	10/9.3-11	3/4	15.9	10.4	6.6	3.9	1.9	0.4	0.0	0.0	6	Quad <sup>1</sup>	
PS4S25S*†	25 x 4 x 0.188	10/9.3-11	3/4	25.3	17.6	12.3	8.5	5.7	3.6	1.9	0.6	6	Quad <sup>1</sup>	
PS4S27R*†	27 x 4 x 0.125	10/9.3-11	3/4	22.0	14.9	10.0	6.6	4.0	2.0	0.0	0.0	T	Tenon <sup>2</sup>	
PS4S30H*†	30 x 4 x 0.188	10/9.3-11	3/4	19.5	12.5	7.8	4.4	1.9	0.0	0.0	0.0			
PS5S25S*†	25 x 5 x 0.188	10/9.7-11.3	1	43.9	31.4	22.8	16.6	12.1	8.7	6.0	3.8			
PS5S30S*†	30 x 5 x 0.188	10/9.7-11.3	1	32.2	21.9	14.9	9.9	6.2	3.4	1.2	0.0			
PS6S30S*†	30 x 6 x 0.188	11.5/11.3-12.8	1	50.8	35.7	25.3	17.9	12.4	8.2	4.9	2.4			

## Field-Installed Accessories



**GFI Outlet Accessory - 120V**

REC-GF1BZ	REC-GF1PB
REC-GF1BK	REC-GF1SV
REC-GF1WH	

1-Direct mount pole configuration; add prefix "2" to conugation numbers for fixtures with Fixed 20° mount (i.e. "21", "22", "23", "25", "26") Example PS6S30S21BZ  
2-Order tenon separately

## General Description

Non-tapered square steel poles are supplied with welded base with cover, four galvanized anchor bolts, masonite mounting template and a pole cap (except tenon mount). Each anchor bolt is provided with two washers and two nuts. Steel pole base has slotted holes. Per National Electrical Code requirements, pole is standard with a 2" x 6" (51 x 152 mm) hand hole, located 18" (457 mm) above bottom of pole base. A #10-32 stainless-steel weld stud with grounding lug is located inside pole, opposite hand hole; a hand hole cover is supplied but shipped separately. In addition, 4" x 27" and 4" x 30" poles include an internal 5/16" steel reinforced sleeve welded inside the bottom 24" of the pole, as well as a reinforcement welded around the hand hole for added strength.

## Materials

Square, non-tapered pole of structural steel tubing (ASTM A 500); with a minimum yield strength of 46,000 p.s.i. Welded to a formed carbon steel base plate with a minimum yield strength of 36,000 p.s.i.

## Finish

Exclusive Colorfast DeltaGuard™ finish features an E-Coat epoxy primer with an ultra-durable powder topcoat, providing excellent resistance to corrosion, ultraviolet degradation and abrasion. The finish is covered by our 7 year limited warranty.

## Labels

Beta Lighting square steel poles meet or exceed National Electrical Code Requirements. In the US, Beta square poles are classified by Underwriters Laboratories Inc. for electrical ground bonding; in Canada, they are CSA certified for electrical ground bonding and structural strength.

## Patents

US 5,820,255; 6,640,517; Patent pending

**PS3S10C(a)BZ**

10' (3.0 m) x 3" (76 mm)  
 Wall thickness – 0.125" (3 mm)  
 Base plate – 10" (254 mm) square x 0.50" (13 mm) thick  
 Anchor bolts – 3/4"-10 x 18" (457 mm) + 3" (76 mm)  
 Bolt circle diameter – 10" (254 mm) 9.3" – 11" (235 mm – 279 mm)  
 Maximum fixture weight – 250 lbs. (114 Kg)  
 Approximate shipping weight – 58 lbs. (26 Kg)

**PS3S15C(a)BZ**

15' (4.6 m) x 3" (76 mm)  
 Wall thickness – 0.125" (3 mm)  
 Base plate – 10" (254 mm) square x 0.750" (19 mm) thick  
 Anchor bolts – 3/4"-10 x 18" (457 mm) + 3" (76 mm)  
 Bolt circle diameter – 10" (254 mm) 9.3" – 11" (235 mm – 279 mm)  
 Maximum fixture weight – 250 lbs. (114 Kg)  
 Approximate shipping weight – 82 lbs. (37 Kg)

**PS3S20C(a)BZ**

20' (6.1 m) x 3" (76 mm)  
 Wall thickness – 0.125" (3 mm)  
 Base plate – 10" (254 mm) square x 0.750" (19 mm) thick  
 Anchor bolts – 3/4"-10 x 18" (457 mm) + 3" (76 mm)  
 Bolt circle diameter – 10" (254 mm) 9.3" – 11" (235 mm – 279 mm)  
 Maximum fixture weight – 250 lbs. (114 Kg)  
 Approximate shipping weight – 119 lbs. (54 Kg)

**PS4S10C(a)BZ**

10' (3.0 m) x 4" (102 mm)  
 Wall thickness – 0.125" (3 mm)  
 Base plate – 10" (254 mm) square x 0.750" (19 mm) thick  
 Anchor bolts – 3/4"-10 x 18" (457 mm) + 3" (76 mm)  
 Bolt circle diameter – 10" (254 mm) 9.3" – 11" (235 mm – 279 mm)  
 Maximum fixture weight – 350 lbs. (159 Kg)  
 Approximate shipping weight – 78 lbs. (35 Kg)

**PS4S12C(a)BZ**

12' (3.7 m) x 4" (102 mm)  
 Wall thickness – 0.125" (3 mm)  
 Base plate – 10" (254 mm) square x 0.750" (19 mm) thick  
 Anchor bolts – 3/4"-10 x 18" (457 mm) + 3" (76 mm)  
 Bolt circle diameter – 10" (254 mm) 9.3" – 11" (235 mm – 279 mm)  
 Maximum fixture weight – 300 lbs. (136 Kg)  
 Approximate shipping weight – 99 lbs. (45 Kg)

**PS4S15C(a)BZ**

15' (4.6 m) x 4" (102 mm)  
 Wall thickness – 0.125" (3 mm)  
 Base plate – 10" (254 mm) square x 0.750" (19 mm) thick  
 Anchor bolts – 3/4"-10 x 30" (762 mm) + 3" (76 mm)  
 Bolt circle diameter – 10" (254 mm) 9.3" – 11" (235 mm – 279 mm)  
 Maximum fixture weight – 350 lbs. (159 Kg)  
 Approximate shipping weight – 119 lbs. (54 Kg)

**PS4S17C(a)BZ**

17' (5.2 m) x 4" (102 mm)  
 Wall thickness – 0.125" (3 mm)  
 Base plate – 10" (254 mm) square x 0.750" (19 mm) thick  
 Anchor bolts – 3/4"-10 x 30" (762 mm) + 3" (76 mm)  
 Bolt circle diameter – 10" (254 mm) 9.3" – 11" (235 mm – 279 mm)  
 Maximum fixture weight – 300 lbs. (136 Kg)  
 Approximate shipping weight – 131 lbs. (59 Kg)

**PS4S20C(a)BZ**

20' (6.1 m) x 4" (102 mm)  
 Wall thickness – 0.125" (3 mm)  
 Base plate – 10" (254 mm) square x 0.750" (19 mm) thick  
 Anchor bolts – 3/4"-10 x 30" (762 mm) + 3" (76 mm)  
 Bolt circle diameter – 10" (254 mm) 9.3" – 11" (235 mm – 279 mm)  
 Maximum fixture weight – 350 lbs. (159 Kg)  
 Approximate shipping weight – 150 lbs. (68 Kg)

**PS4S22C(a)BZ**

22' (6.7 m) x 4" (102 mm)  
 Wall thickness – 0.125" (3 mm)  
 Base plate – 10" (254 mm) square x 0.750" (19 mm) thick  
 Anchor bolts – 3/4"-10 x 30" (762 mm) + 3" (76 mm)  
 Bolt circle diameter – 10" (254 mm) 9.3" – 11" (235 mm – 279 mm)  
 Maximum fixture weight – 310 lbs. (141 Kg)  
 Approximate shipping weight – 163 lbs. (74 Kg)

**PS4S25C(a)BZ**

25' (7.6 m) x 4" (102 mm)  
 Wall thickness – 0.125" (3 mm)  
 Base plate – 10" (254 mm) square x 0.750" (19 mm) thick  
 Anchor bolts – 3/4"-10 x 30" (762 mm) + 3" (76 mm)  
 Bolt circle diameter – 10" (254 mm) 9.3" – 11" (235 mm – 279 mm)  
 Maximum fixture weight – 350 lbs. (159 Kg)  
 Approximate shipping weight – 182 lbs. (83 Kg)

**PS4S25S(a)BZ**

25' (7.6 m) x 4" (102 mm)  
 Wall thickness – 0.188" (5 mm)  
 Base plate – 10" (254 mm) square x 0.750" (19 mm) thick  
 Anchor bolts – 3/4"-10 x 30" (762 mm) + 3" (76 mm)  
 Bolt circle diameter – 10" (254 mm) 9.3" – 11" (235 mm – 279 mm)  
 Maximum fixture weight – 350 lbs. (159 Kg)  
 Approximate shipping weight – 252 lbs. (114 Kg)

**PS4S27R(a)BZ**

27' (8.2 m) x 4" (102 mm)  
 Wall thickness – 0.125" (3 mm)  
 Base plate – 10" (254 mm) square x 0.750" (19 mm) thick  
 Anchor bolts – 3/4"-10 x 30" (762 mm) + 3" (76 mm)  
 Bolt circle diameter – 10" (254 mm) 9.3" – 11" (235 mm – 279 mm)  
 Maximum fixture weight – 280 lbs. (127 Kg)  
 Approximate shipping weight – 232 lbs. (105 Kg)

**PS4S30R(a)BZ**

30' (9.1 m) x 4" (102 mm)  
 Wall thickness – 0.125" (3 mm)  
 Base plate – 10" (254 mm) square x 0.750" (19 mm) thick  
 Anchor bolts – 3/4"-10 x 30" (762 mm) + 3" (76 mm)  
 Bolt circle diameter – 10" (254 mm) 9.3" – 11" (235 mm – 279 mm)  
 Maximum fixture weight – 315 lbs. (143 Kg)  
 Approximate shipping weight – 301 lbs. (137 Kg)

**PS4S30H(a)BZ**

30' (9.1 m) x 4" (102 mm)  
 Wall thickness – 0.188" (5 mm)  
 Base plate – 10" (254 mm) square x 0.750" (19 mm) thick  
 Anchor bolts – 3/4"-10 x 30" (762 mm) + 3" (76 mm)  
 Bolt circle diameter – 10" (254 mm) 9.3" – 11" (235 mm – 279 mm)  
 Maximum fixture weight – 340 lbs. (155 Kg)  
 Approximate shipping weight – 337 lbs. (153 Kg)

**PS5S25S(a)BZ**

25' (7.6 m) x 5" (127 mm)  
 Wall thickness – 0.188" (5 mm)  
 Base plate – 10" (254 mm) square x 0.750" (19 mm) thick  
 Anchor bolts – 1"-8 x 36" (914 mm) + 4" (102 mm)  
 Bolt circle diameter – 10" (254 mm) 9.7" – 11.3" (248 mm – 287 mm)  
 Maximum fixture weight – 450 lbs. (204 Kg)  
 Approximate shipping weight – 320 lbs. (145 Kg)

**PS5S30S(a)BZ**

30' (9.1 m) x 5" (127 mm)  
 Wall thickness – 0.188" (5 mm)  
 Base plate – 10" (254 mm) square x 0.750" (19 mm) thick  
 Anchor bolts – 1"-8 x 36" (914 mm) + 4" (102 mm)  
 Bolt circle diameter – 10" (254 mm) 9.7" – 11.3" (248 mm – 287 mm)  
 Maximum fixture weight – 375 lbs. (170 Kg)  
 Approximate shipping weight – 379 lbs. (172 Kg)

**PS6S30S(a)BZ**

30' (9.1 m) x 6" (152 mm)  
 Wall thickness – 0.188" (5 mm)  
 Base plate – 12" (305 mm) square x 1" (25 mm) thick  
 Anchor bolts – 1"-8 x 36" (914 mm) + 4" (102 mm)  
 Bolt circle diameter – 11.5" (292 mm) 11.3" – 12.8" (286 mm – 324 mm)  
 Maximum fixture weight – 525 lbs. (238 Kg)  
 Approximate shipping weight – 457 lbs. (207 Kg)

