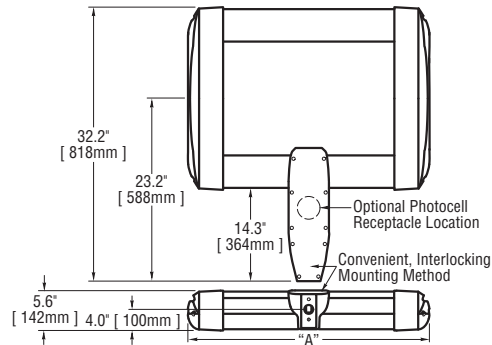


Notes:



# of LEDs	Dim. "A"
20	11.75"
40	11.75"
60	13.75"
80	15.75"
100	17.75"
120	19.75"
140	21.75"
160	23.75"
180	25.75"
200	27.75"
220	29.75"
240	31.75"

Product	Family	Optic	Mounting	# of LEDs (x 10)	LED Series	Voltage	Color Options	Factory-Installed Options
ARE	EDG	2M ¹ 2MB ²	DL ³	02 04 06 08 10 12 14 16 18 20 22 24	C	UL Universal 120-277V UH Universal 347-480V 12 120V 24 240V 27 277V 34 347V	SV Silver BK Black BZ Bronze PB Platinum Bronze WH White	43K 4300K Color Temperature ⁴ 525 525mA Drive Current ^{5,6} DIM5 0-10V Dimming (525mA maximum) ^{7,8} F Fuse ^{9,10} HL Hi/Low (175/350/525, dual circuit input) ¹¹ P Photocell ^{12,13} R NEMA Photocell Receptacle ^{10,13} TL Two-Level (175/525 w/ integrated sensor control) ¹¹ TL2 Two-Level (0/350 w/ integrated sensor control) ¹¹ TL3 Two-Level (0/525 w/ integrated sensor control) ¹¹

Footnotes

1. IESNA Type II Medium distribution
2. IESNA Type II Medium distribution with backlight control
3. Direct mounting arm—long for use with 3-6" square or round pole
4. Color temperature per fixture; minimum 70 CRI
5. Driver operates at 525mA instead of the standard 350mA providing a higher lumen output and a shorter life
6. Available on fixtures with 20-120 LEDs
7. Control by others
8. Refer to dimming spec sheet for availability and additional information
9. When code dictates fusing use time delay fuse
10. Not available when UH voltage is selected
11. Refer to multi level spec sheet for availability and additional information
12. Must specify voltage other than UL or UH
13. This option not available with all multi-level options. Refer to multi-level spec sheet for more information

LED PERFORMANCE SPECS

# of LEDs	Initial Delivered Lumens – Type II Medium @ 6000K	Initial Delivered Lumens – Type II Medium w/ Backlight @ 6000K			Initial Delivered Lumens – Type II Medium @ 4300K			Initial Delivered Lumens – Type II Medium w/ Backlight @ 4300K			System Watts 120-277V	Total Current @ 120V	Total Current @ 230V	Total Current @ 277V	System Watts 347-480V	Total Current @ 347V	Total Current @ 480V	L ₇₀ Hours** @ 25° C (77° F)						
		B	U	G	B	U	G	B	U	G									B	U	G			
350mA (Standard) Fixture Operating at 25° C (77° F)																								
20	1,711 (02)	1	1	1	1,278 (02)	0	1	1	1,500 (02)	1	1	1	1,121 (02)	0	1	1	25	0.23	0.11	0.10	30	0.09	0.08	105,000
40	3,421 (04)	1	1	1	2,556 (04)	0	1	1	3,001 (04)	1	1	1	2,242 (04)	0	1	1	49	0.41	0.23	0.20	51	0.15	0.12	105,000
60	5,132 (06)	2	2	1	3,833 (06)	1	1	1	4,501 (06)	1	1	1	3,362 (06)	1	1	1	71	0.60	0.32	0.28	74	0.22	0.17	105,000
80	6,842 (08)	2	2	2	5,111 (08)	1	2	1	6,002 (08)	2	2	2	4,483 (08)	1	2	1	93	0.78	0.41	0.35	96	0.28	0.21	105,000
100	8,553 (10)	2	2	2	6,389 (10)	1	2	2	7,502 (10)	2	2	2	5,604 (10)	1	2	1	116	0.98	0.52	0.43	119	0.35	0.26	105,000
120	10,263 (12)	2	3	2	7,667 (12)	1	2	2	9,002 (12)	2	2	2	6,725 (12)	1	2	2	139	1.17	0.61	0.52	141	0.41	0.30	105,000
140	11,974 (14)	3	3	3	8,944 (14)	1	3	2	10,503 (14)	2	3	2	7,845 (14)	1	3	2	164	1.39	0.74	0.63	170	0.49	0.35	105,000
160	13,685 (16)	3	3	3	10,222 (16)	1	3	2	12,003 (16)	3	3	3	8,966 (16)	1	3	2	186	1.58	0.83	0.71	192	0.55	0.40	105,000
180	15,395 (18)	3	3	3	11,500 (18)	1	3	2	13,503 (18)	3	3	3	10,087 (18)	1	3	2	211	1.77	0.93	0.79	215	0.62	0.45	105,000
200	17,106 (20)	3	3	3	12,778 (20)	1	3	2	15,004 (20)	3	3	3	11,208 (20)	1	3	2	233	1.97	1.03	0.87	237	0.68	0.49	105,000
220	18,816 (22)	3	3	3	14,056 (22)	2	3	2	16,504 (22)	3	3	3	12,328 (22)	1	3	2	256	2.16	1.13	0.95	259	0.75	0.54	105,000
240	20,527 (24)	3	3	3	15,333 (24)	2	3	2	18,005 (24)	3	3	3	13,449 (24)	1	3	2	279	2.35	1.23	1.03	282	0.81	0.59	105,000
525mA Fixture Operating at 25° C (77° F)																								
20	2,224 (02)	1	1	1	1,661 (02)	0	1	1	1,950 (02)	1	1	1	1,457 (02)	0	1	1	37	0.31	0.18	0.17	43	0.13	0.15	61,000
40	4,448 (04)	1	1	1	3,322 (04)	1	1	1	3,901 (04)	1	1	1	2,914 (04)	0	1	1	69	0.58	0.31	0.27	75	0.22	0.19	61,000
60	6,671 (06)	2	2	2	4,983 (06)	1	2	1	5,851 (06)	2	2	2	4,371 (06)	1	2	1	110	0.92	0.49	0.41	116	0.33	0.27	61,000
80	8,895 (08)	2	2	2	6,644 (08)	1	2	2	7,802 (08)	2	2	2	5,828 (08)	1	2	2	138	1.16	0.62	0.54	145	0.42	0.32	61,000
100	11,119 (10)	3	3	3	8,306 (10)	1	3	2	9,752 (10)	2	2	2	7,285 (10)	1	2	2	177	1.49	0.79	0.68	186	0.53	0.40	61,000
120	13,343 (12)	3	3	3	9,967 (12)	1	3	2	11,703 (12)	3	3	3	8,742 (12)	1	3	2	217	1.82	0.96	0.81	226	0.65	0.48	61,000

* Utilizes magnetic step-down transformer when 525mA drive current or multi-level options are selected
 ** For recommended lumen depreciation data see TD-13
 *** For more information on the IES BUG (Backlight-Uplight-Glare) Rating visit www.iesna.org/PDF/Erratas/TM-15-07BugRatingsAddendum.pdf



General Description

Slim, low profile design minimizes wind load requirements. Fixture sides are rugged cast aluminum with integral, weather-tight LED driver compartments and high performance aluminum heatsinks. Convenient, interlocking mounting method. Mounting housing is rugged die cast aluminum and mounts to 3 – 6" square or round pole. Fixture is secured by two (2) 5/16-18 UNC bolts spaced on 2" centers. Includes leaf/debris guard. Five year limited warranty on fixture.

Electrical

Modular design accommodates varied lighting output from high power, white, 6000K (+/- 500K per full fixture), minimum 70 CRI, long life LED sources. 120–277V 50/60 Hz, Class 1 LED drivers are standard. 347–480V 50/60 Hz driver is optional. LED drivers have power factor >90% and THD <20% of full load. Units provided with integral 9kV surge suppression protection standard. Integral weather-tight electrical box with terminal strip for easy power hook-up. Surge protection tested in accordance with IEEE C62.41.2 and ANSI standard 62.41.2.

Testing & Compliance

UL listed in the U.S. and Canada for wet locations and enclosure classified IP66 per IEC 529 when ordered without P or R options. Consult factory for CE Certified products. RoHS compliant. International Dark-Sky Association approved.

Finish

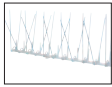
Exclusive Colorfast DeltaGuard® finish features an E-Coat epoxy primer with an ultra-durable silver powder topcoat, providing excellent resistance to corrosion, ultraviolet degradation and abrasion. Bronze, black, white and platinum bronze powder topcoats are also available. The finish is covered by our 10 year limited warranty.

Fixture and finish are endurance tested to withstand 5,000 hours of elevated ambient salt fog conditions as defined in ASTM Standard B 117.

Patents

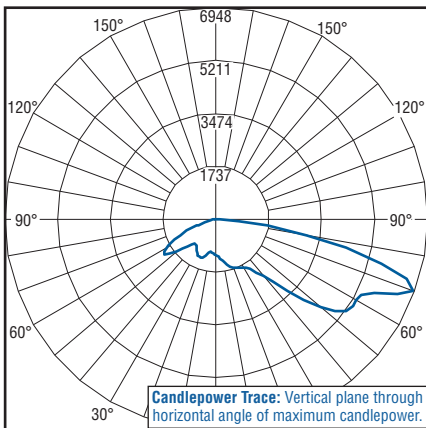
U.S. and international patents granted and pending. BetaLED is a division of Ruud Lighting, Inc. For a listing of Ruud Lighting, Inc. patents, visit www.uspto.gov.

Field-Installed Accessories

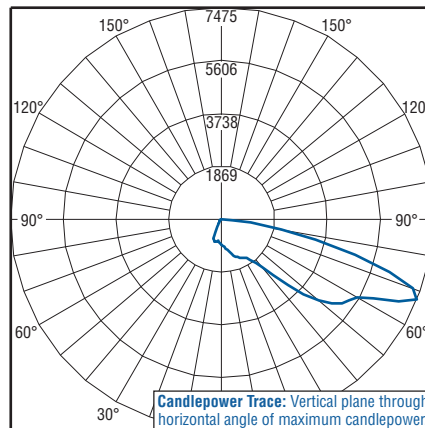


Bird Spikes
XA-BRDSPK

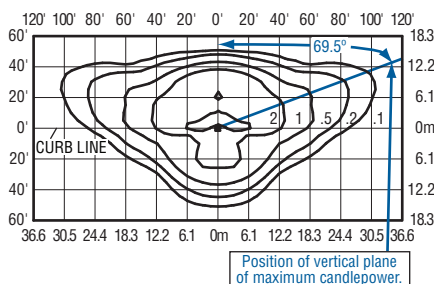
Photometrics



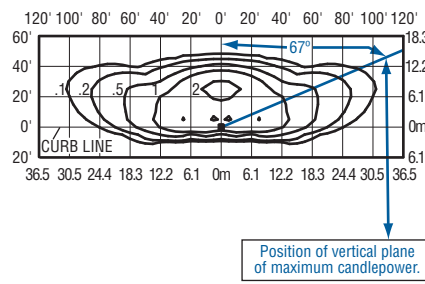
Independent Testing Laboratories certified test. Report No. ITL63821. Candlepower trace of 6000K, 120 LED Type II Medium area luminaire with 10,355 initial delivered lumens operating at 350mA. All published luminaire photometric testing performed to IESNA LM-79-08 standards.



Independent Testing Laboratories certified test. Report No. ITL64423. Candlepower trace of 6000K, 120 LED Type II Medium area luminaire with backlight control and 7,710 initial delivered lumens operating at 350mA. All published luminaire photometric testing performed to IESNA LM-79-08 standards.



Isofootcandle plot of 6000K, 120 LED Type II Medium area luminaire at 25' A.F.G. Luminaire with 10,263 initial delivered lumens operating at 350mA. Initial FC at grade.



Isofootcandle plot of 6000K, 120 LED Type II Medium area luminaire with backlight control at 25' A.F.G. Luminaire with 7,667 initial delivered lumens operating at 350mA. Initial FC at grade.

THE EDGE® EPA & Weight Calculations

# of LEDs	Approximate Weight 120–277V ¹	EPA & Weight Calculations				
		Single	2@ 180°	2@ 90°	3@ 90°	4@ 90°
Fixed Arm Mount–Long						
20	23.0 lbs.	0.75	1.50	1.02	1.77	1.91
40	25.8 lbs.	0.75	1.50	1.02	1.77	1.91
60	29.1 lbs.	0.75	1.50	1.07	1.82	1.98
80	30.2 lbs.	0.75	1.50	1.11	1.86	2.04
100	34.4 lbs.	0.75	1.50	1.15	1.90	2.10
120	35.6 lbs.	0.75	1.50	1.19	1.94	2.16
140	42.8 lbs.	0.75	1.50	1.23	1.98	2.22
160	43.5 lbs.	0.75	1.50	1.27	2.02	2.28
180	44.2 lbs.	0.75	1.50	1.32	2.07	2.36
200	45.4 lbs.	0.75	1.50	1.36	2.11	2.42
220	48.7 lbs.	0.75	1.50	1.40	2.15	2.48
240	49.9 lbs.	0.75	1.50	1.44	2.19	2.54

1. Add 5 lbs. for transformer in 347–480V fixtures when 525mA drive current or multi-level options are selected

