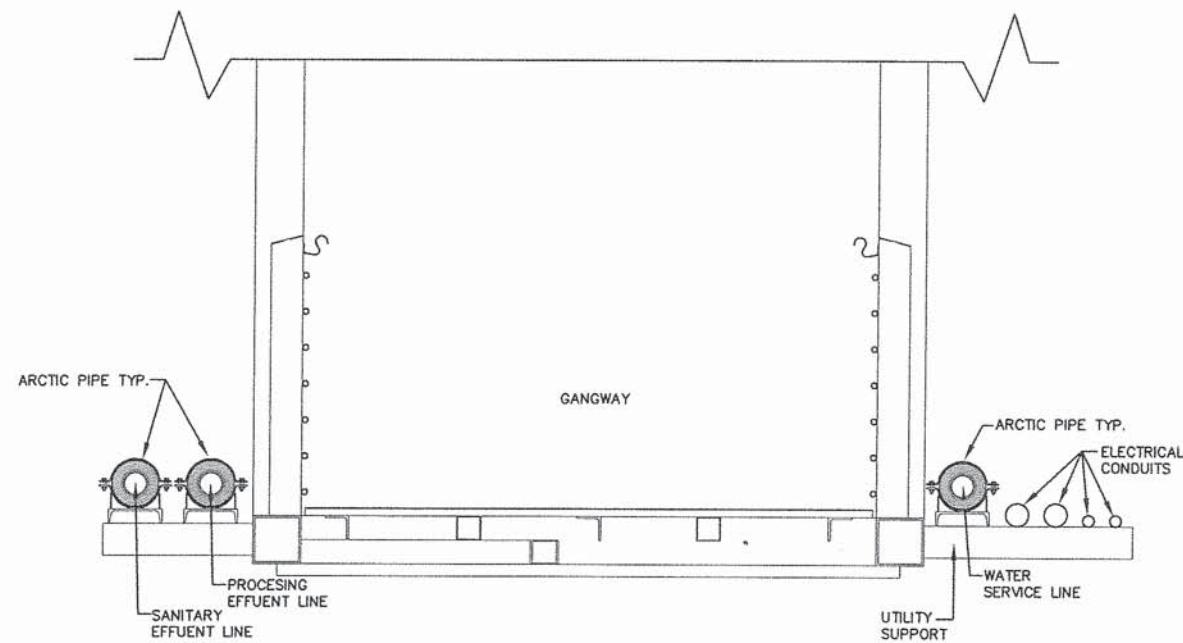


GANGWAY PIPE SUPPORT ASSEMBLY
NOT TO SCALE



GANGWAY UTILITY SECTION
NOT TO SCALE

REVISIONS:

OceansAlaska Marine Science Center
Mariculture Research & Training Facility
P.O. Box 6383
Ketchikan, Alaska 99901

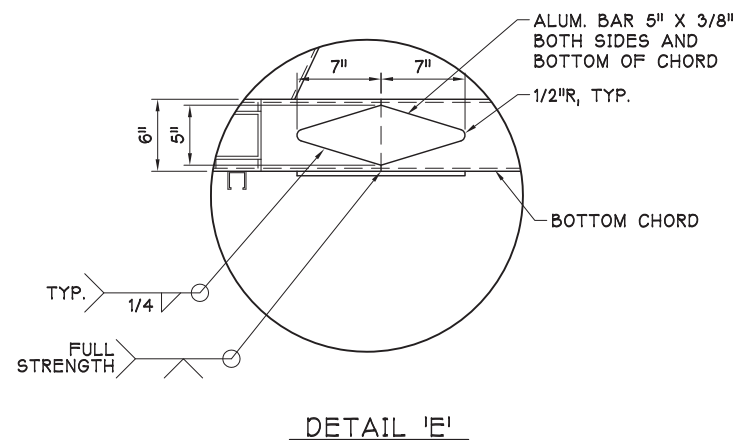
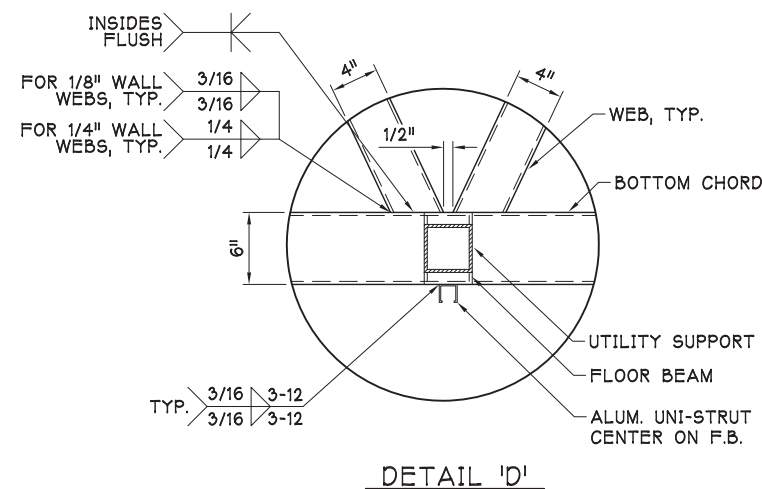
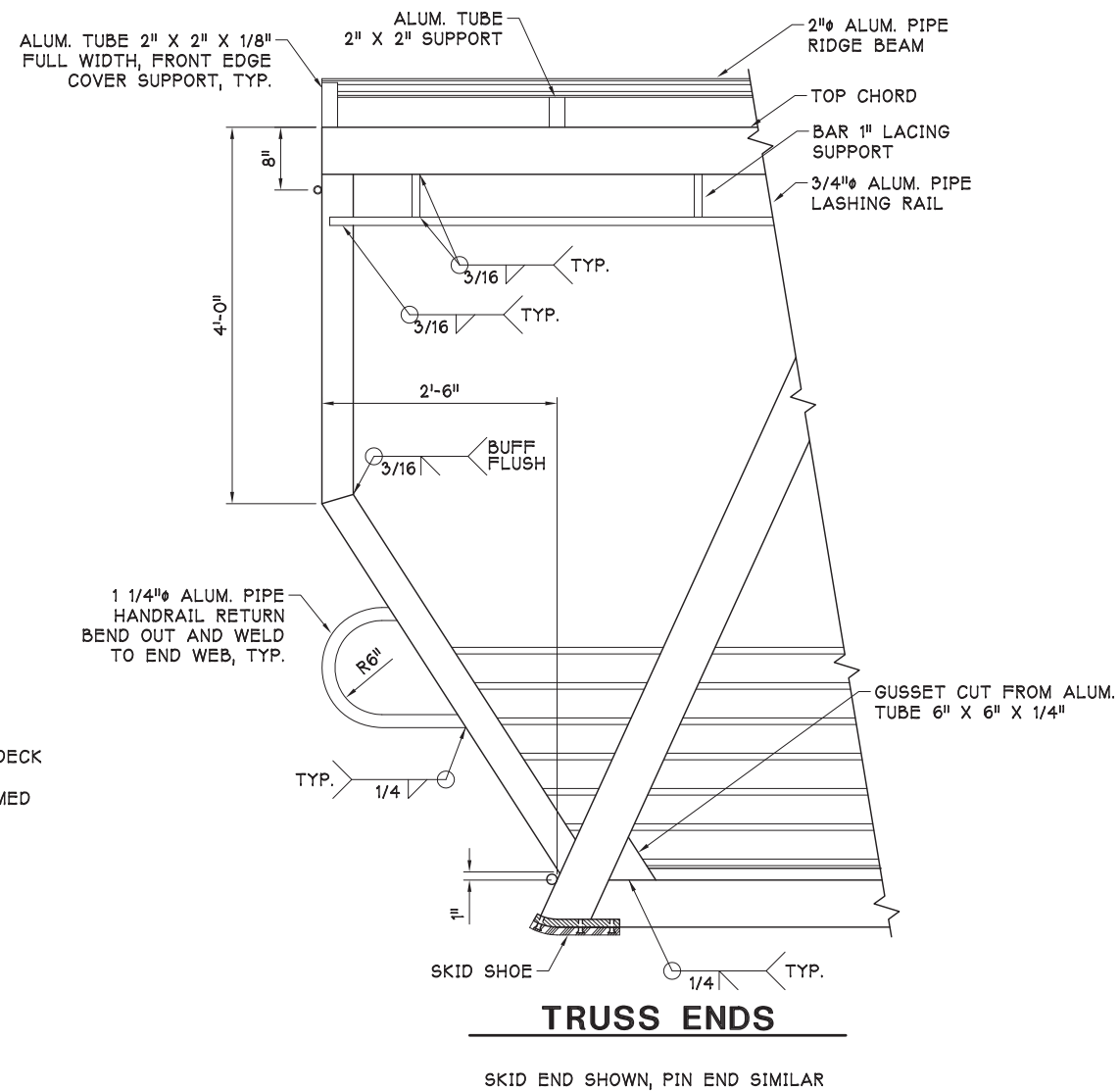
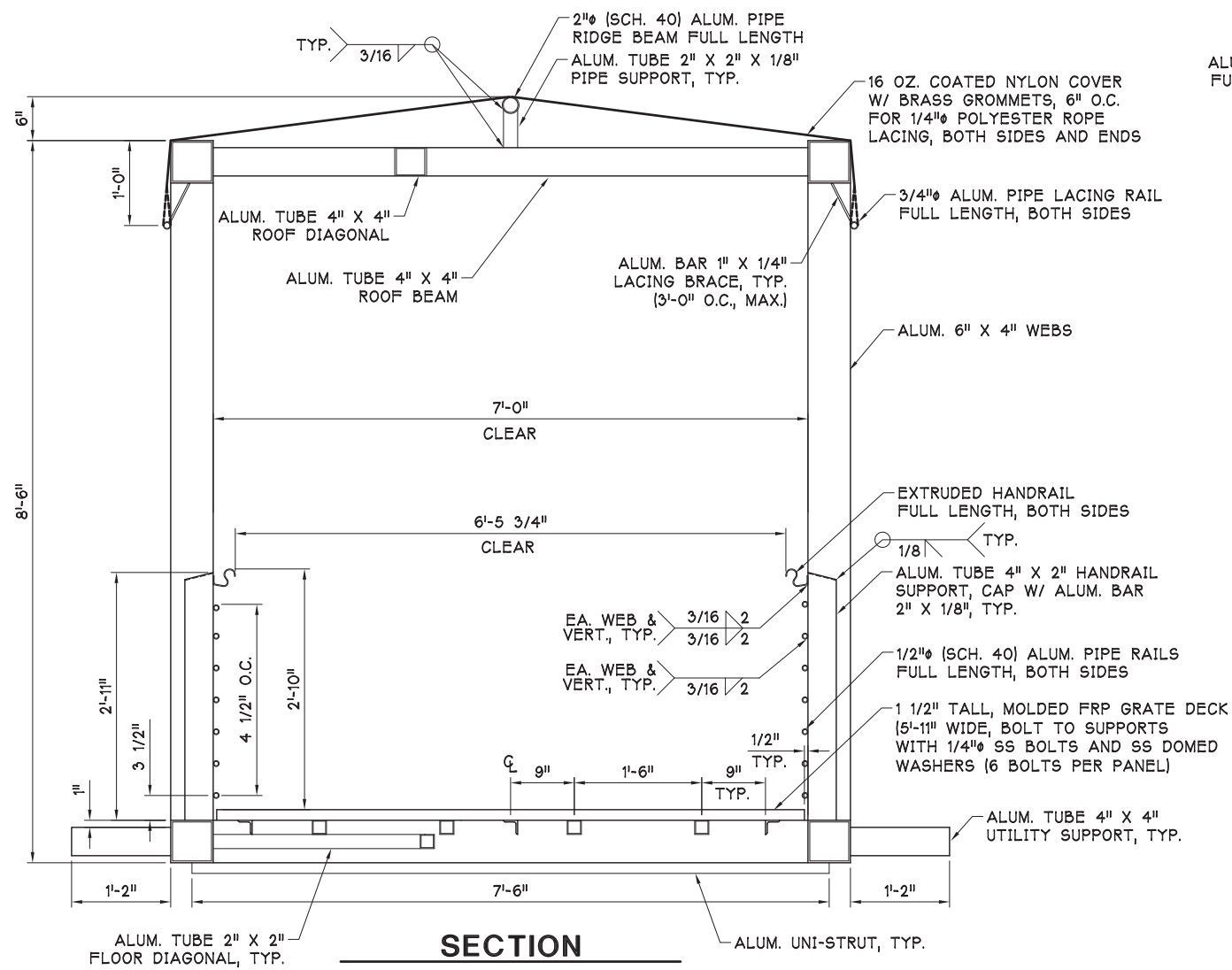
DRAWN BY: RKB
CHECKED BY: TSS
DATE: JULY 2010
R&M # 092370
CADD FILE: _____

R&M
R&M ENGINEERING-KETCHIKAN, INC.
355 CARLANNA LAKE ROAD
KETCHIKAN, ALASKA 99901



SHEET DESCRIPTION
GANGWAY UTILITY CONNECTION DETAILS

SHEET
C10



GANGWAY DESIGN NOTES:

APPLICABLE CODE: 2006 IBC

DEAD LOADS: ALL (PLUS 90 PPF UTILITY)

LIVE LOADS: 85 PSF UNIFORM LIVE LOAD
1000 POUND WHEEL LOAD
50 PPF HORIZONTAL ON HANDRAILS

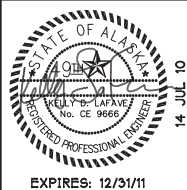
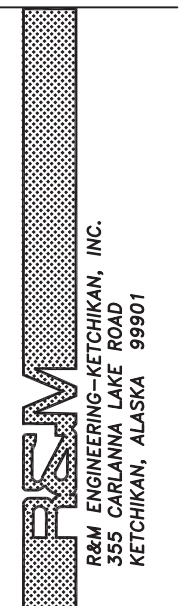
SNOW LOAD: 60 PSF

WIND LOAD: 100 MPH, EXPOSURE 'D'

REVISIONS:

OceansAlaska Marine Science Center
Mariculture Research & Training Facility
P.O. Box 6383
Ketchikan, Alaska 99901

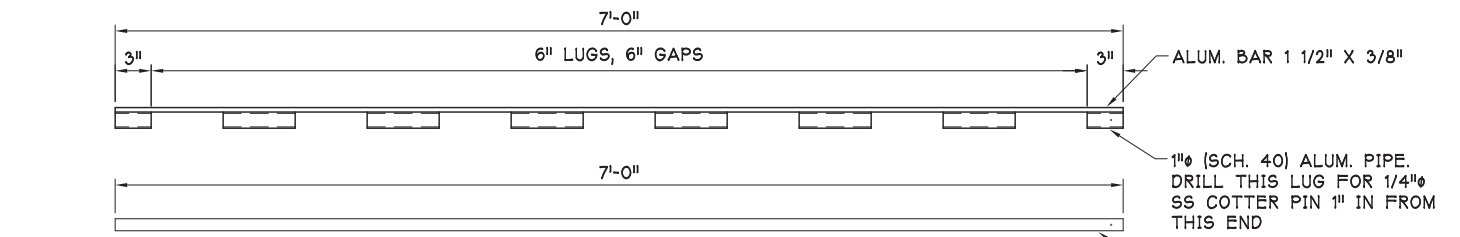
DRAWN BY: KDL
CHECKED BY:
DATE: 14 JULY 10
R&M # 092370
CADD FILE:



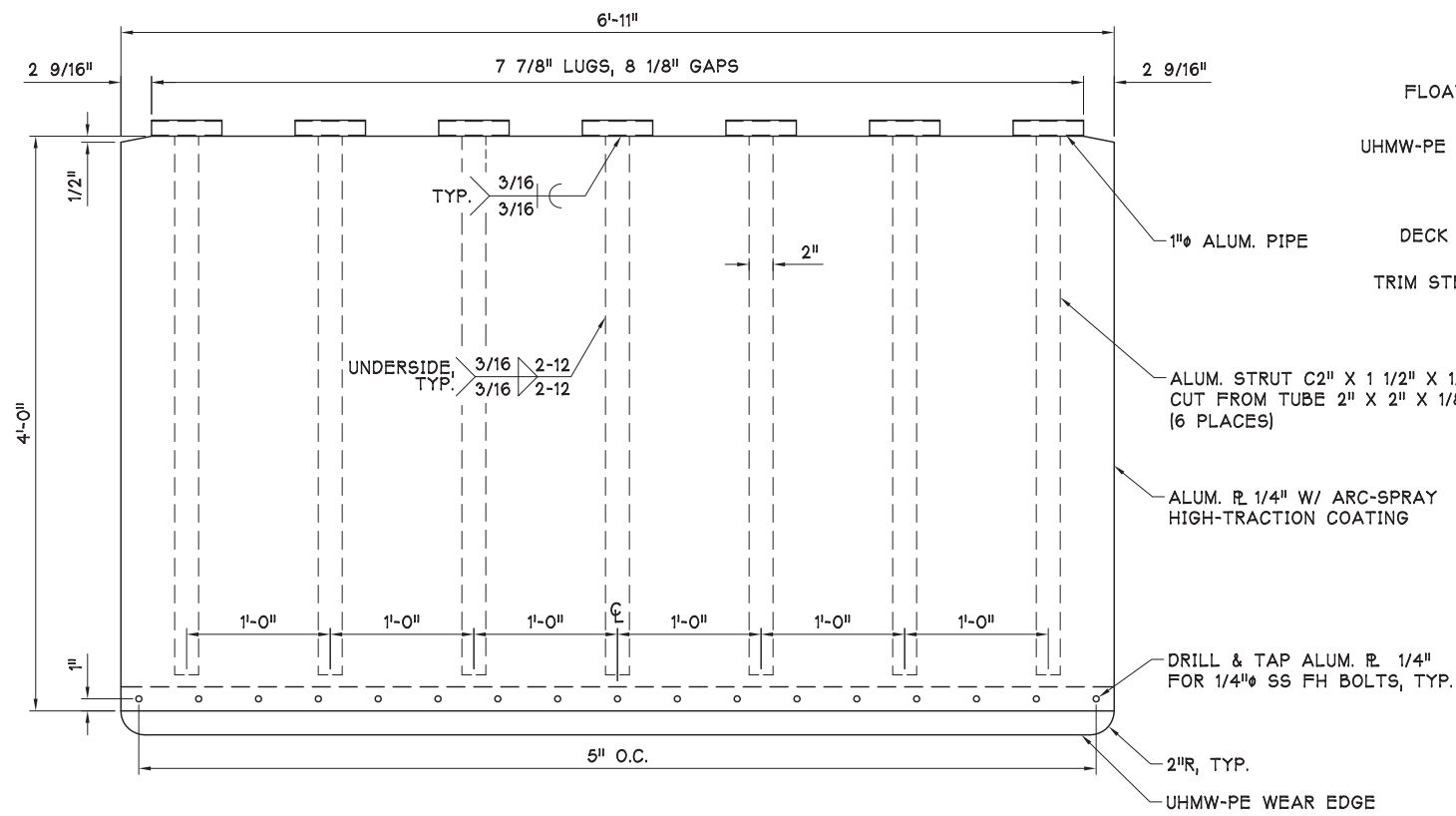
SHEET DESCRIPTION
GANGWAY SECTION AND DETAILS

SHEET
SM-10

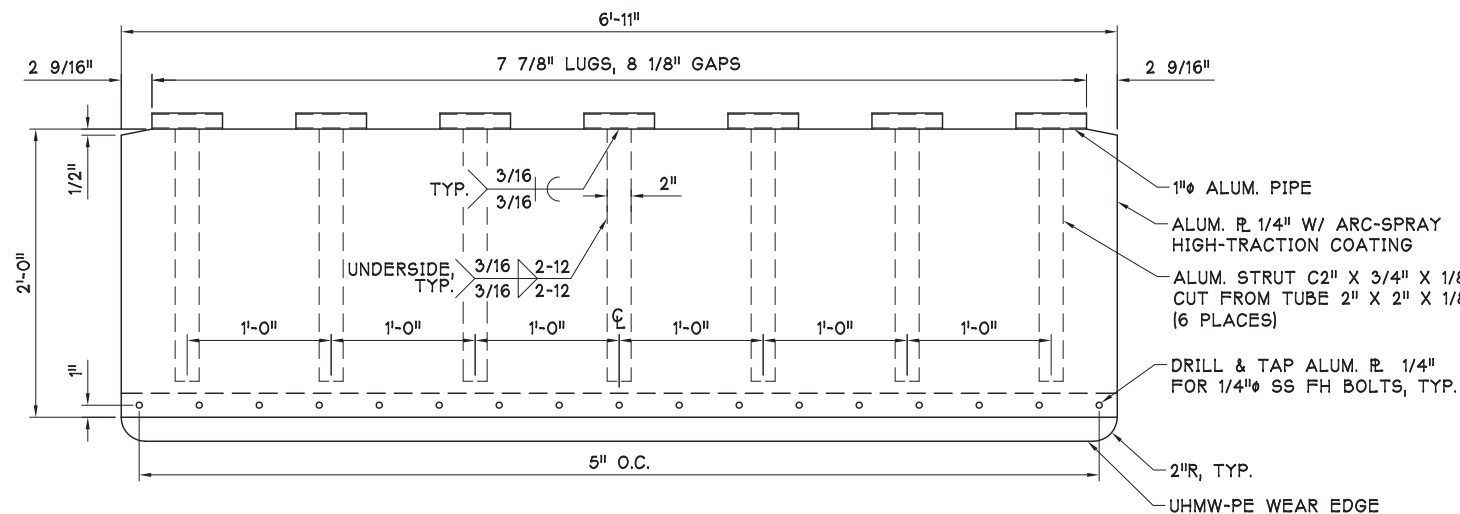
14 JULY 2010



EACH END OF GANGWAY

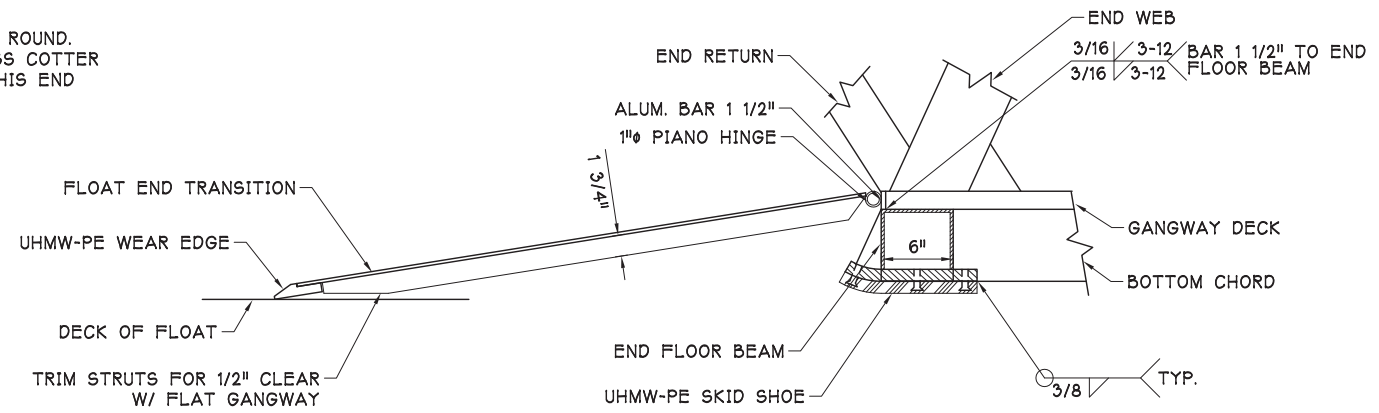


FLOAT END

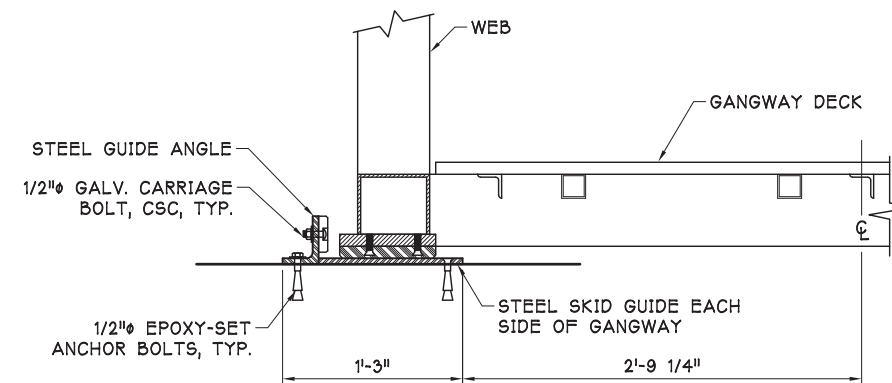


SHORE END

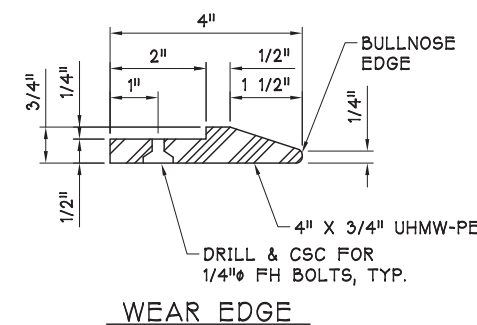
TRANSITION PLATES



FLOAT END ASSY.



FLOAT END SECTION



REVISIONS:

OceansAlaska Marine Science Center
Mariculture Research & Training Facility
P.O. Box 6383
Ketchikan, Alaska 99901

DRAWN BY: KDL
CHECKED BY:
DATE: 14 JULY 10
R&M # 092370
CADD FILE:

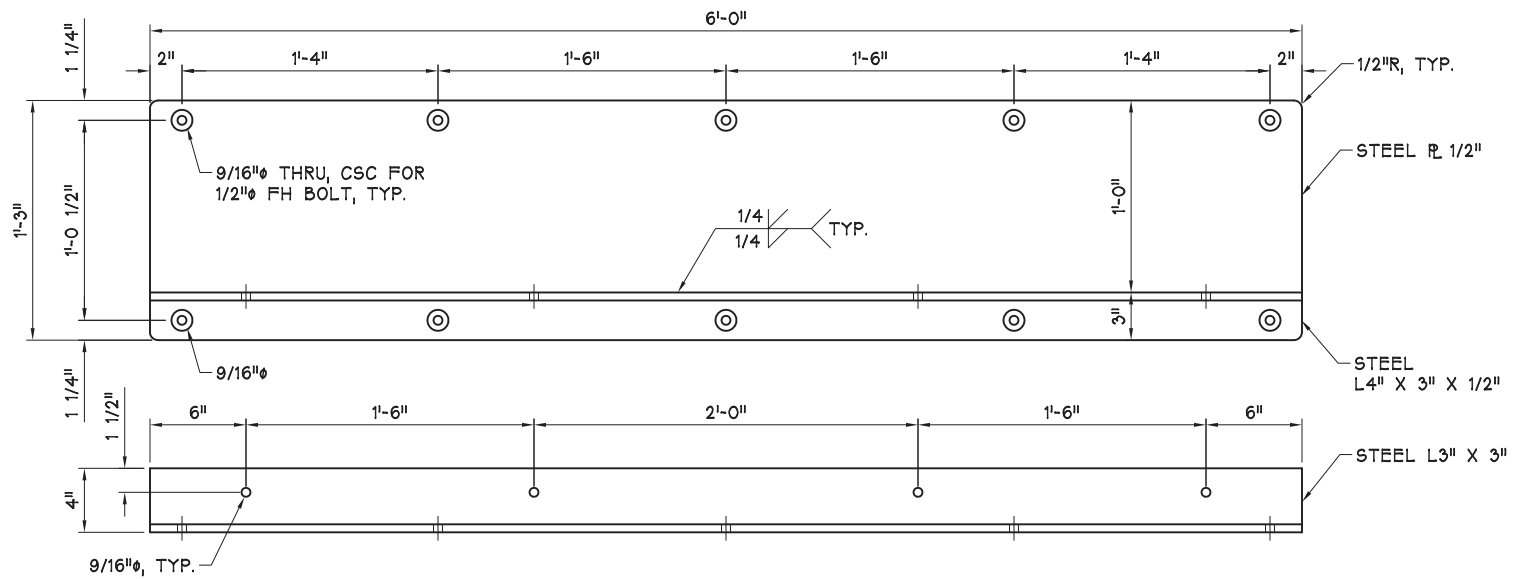
R&M
R&M ENGINEERING-KETCHIKAN, INC.
355 CARLANNA LAKE ROAD
KETCHIKAN, ALASKA 99901

STATE OF ALASKA
R&M ENGINEERING-KETCHIKAN, INC.
No. CE 9666
REGISTERED PROFESSIONAL ENGINEER
EXPIRES: 12/31/11

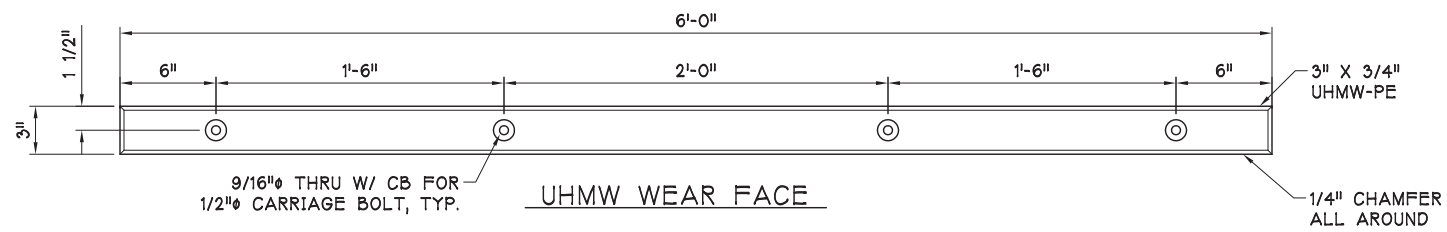
SHEET DESCRIPTION
GANGWAY END AND TRANSITION

SHEET
SM-11

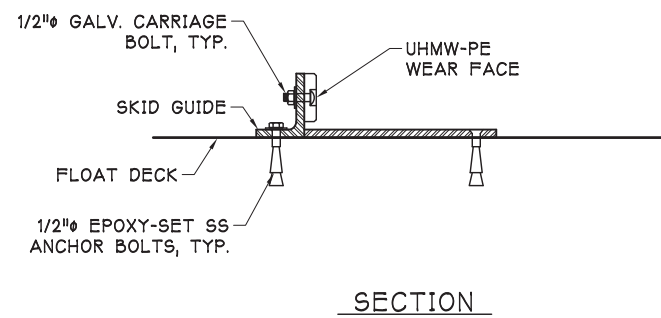
14 JULY 2010



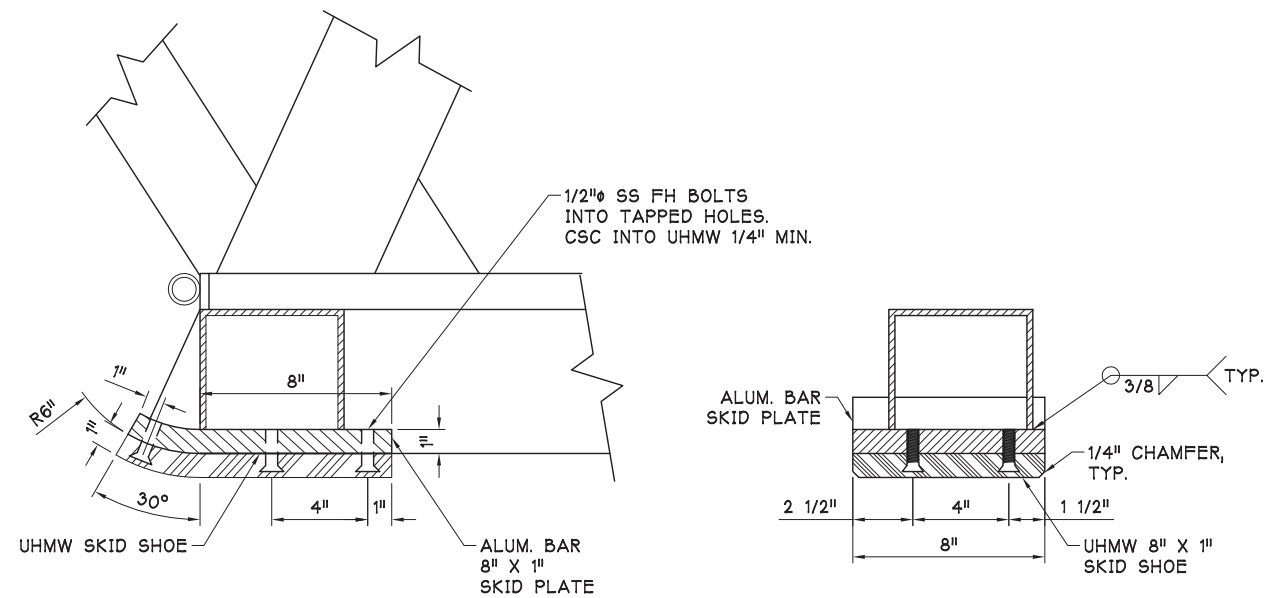
SKID GUIDE



SKID GUIDE ASSY.



SECTION



SKID SHOE

REVISIONS:

OceansAlaska Marine Science Center
 Mariculture Research & Training Facility
 P.O. Box 6383
 Ketchikan, Alaska 99901

DRAWN BY: KDL
 CHECKED BY:
 DATE: 14 JULY 10
 R&M # 092370
 CADD FILE:

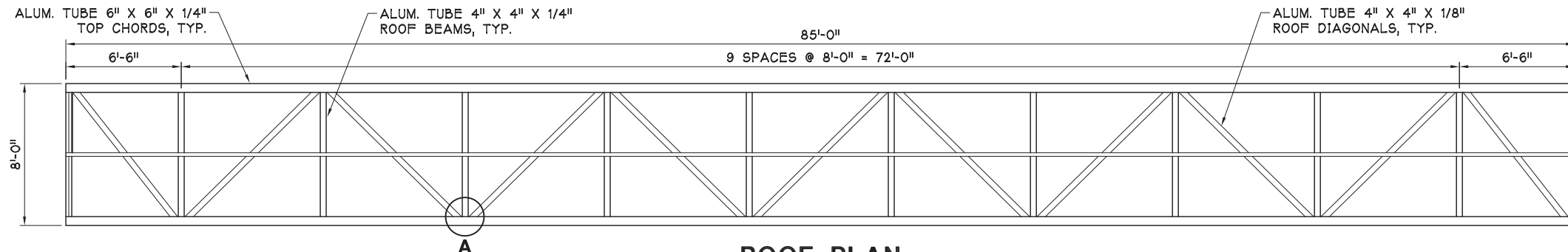
R&M
 R&M ENGINEERING-KETCHIKAN, INC.
 355 CARLANNA LAKE ROAD
 KETCHIKAN, ALASKA 99901

STATE OF ALASKA
 REGISTERED PROFESSIONAL ENGINEER
 No. CE 9666
 EXPIRES: 12/31/11

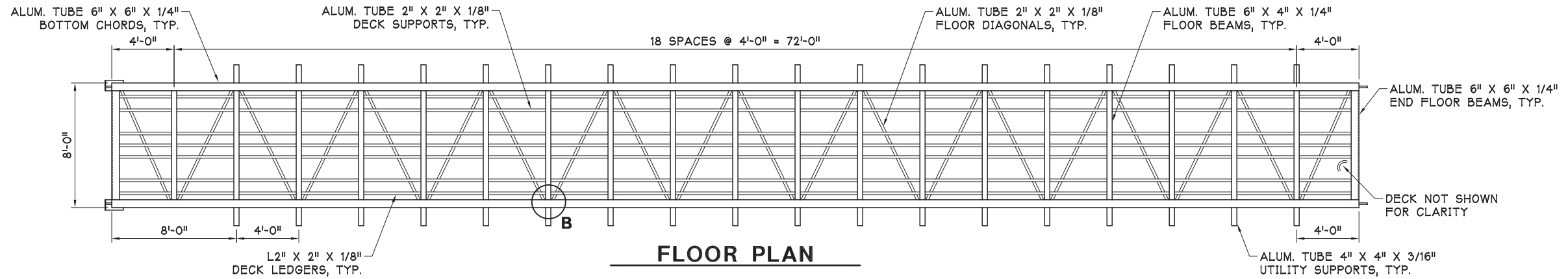
SHEET DESCRIPTION
 GANGWAY SKID
 END AND DETAILS

SHEET
SM-12

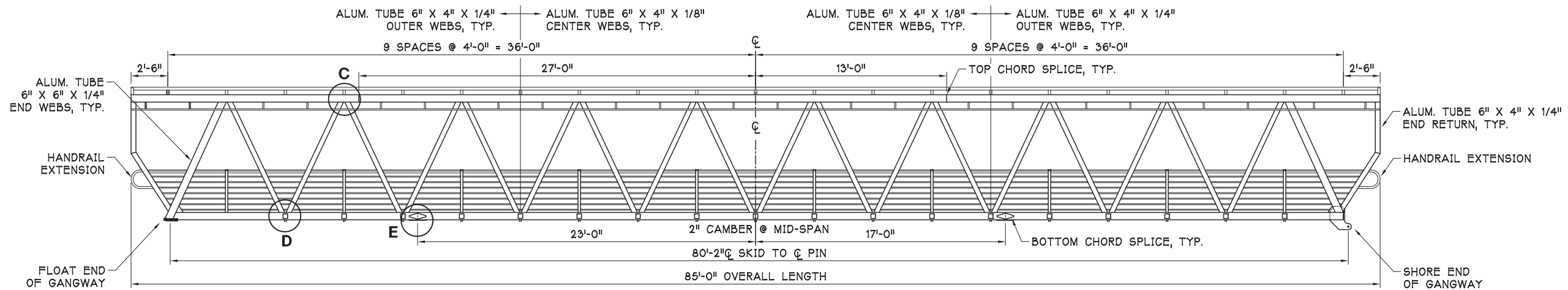
14 JULY 2010



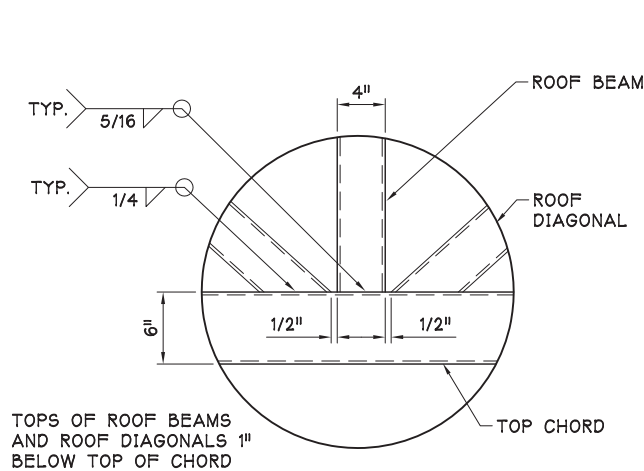
ROOF PLAN



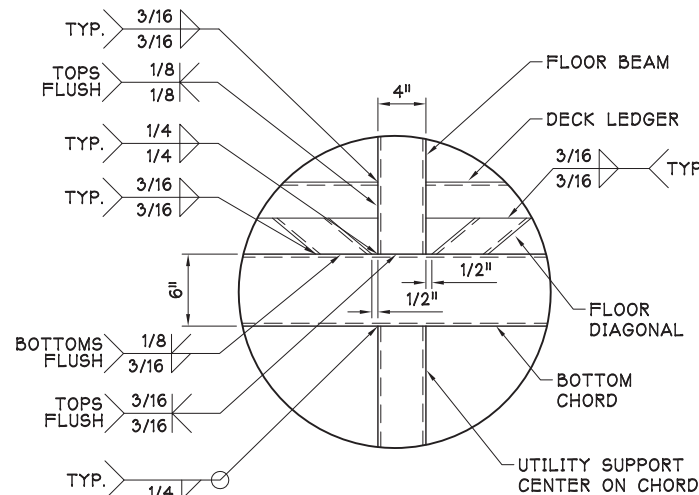
FLOOR PLAN



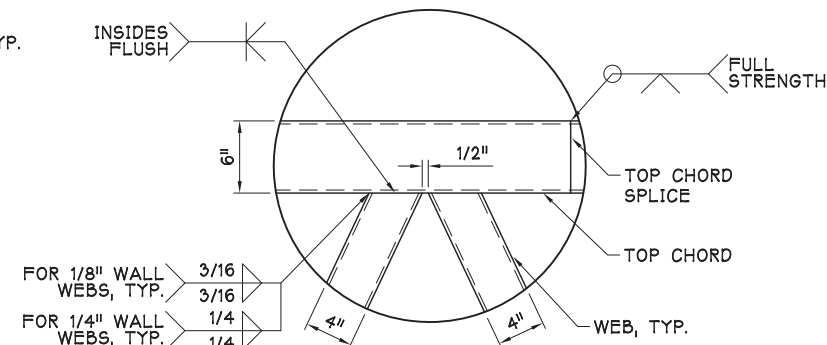
ELEVATION



DETAIL 'A'



DETAIL 'B'



DETAIL 'C'

14 JULY 2010

REVISIONS:

OceansAlaska Marine Science Center
 Mariculture Research & Training Facility
 P.O. Box 6383
 Ketchikan, Alaska 99901

DRAWN BY: KDL
 CHECKED BY: 14 JULY 10
 R&M # 092370
 CADD FILE:

R&M
 R&M ENGINEERING-KETCHIKAN, INC.
 355 CARLANNA LAKE ROAD
 KETCHIKAN, ALASKA 99901

STATE OF ALASKA
 PROFESSIONAL ENGINEER
 No. CE 9666
 EXPIRES: 12/31/11

SHEET DESCRIPTION
 GANGWAY PLANS
 AND ELEVATION

SHEET
SM-9