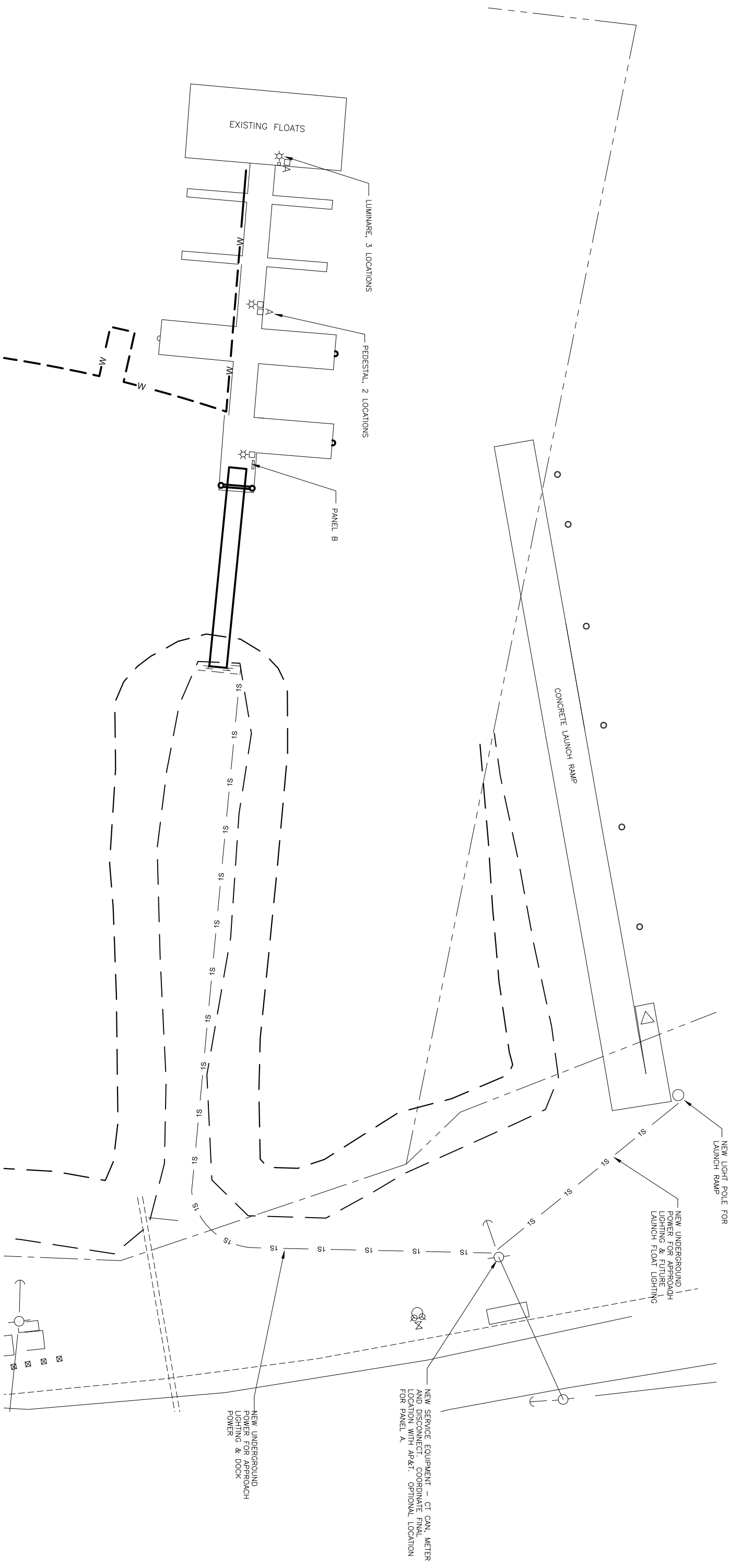


VICINITY MAP

SCALE 1" = 100'
 0 50 100 200 FEET

Date: _____ No.: _____ Description: DOCK DESIGN By: _____ Checked: _____		Designed: TSS Drawn: TSS Scale: AS NOTED Project No.: 152301		Approved: _____ Date: 3/20/16		Client: CITY OF COFFMAN COVE P.O. BOX 18135 COFFMAN COVE, ALASKA 99918		Project: HARBOR RAMP REPLACEMENT		Sheet Description: ELECTRICAL SITE PLAN		Sheet No.: E1	
--	--	---	--	----------------------------------	--	--	--	----------------------------------	--	---	--	---------------	--



Designed: TSS	Approved: -	Client:	CITY OF COFFMAN COVE	Project:	HARBOR RAMP REPLACEMENT	Sheet Description:	ELECTRICAL SITE PLAN	Sheet No.:	E2
Drawn: TSS	Scale: AS NOTED	Date: 3/20/16	P.O. BOX 18135						
By: DOCK DESIGN	Checked: -	Project No. 152301	COFFMAN COVE, ALASKA 99918						